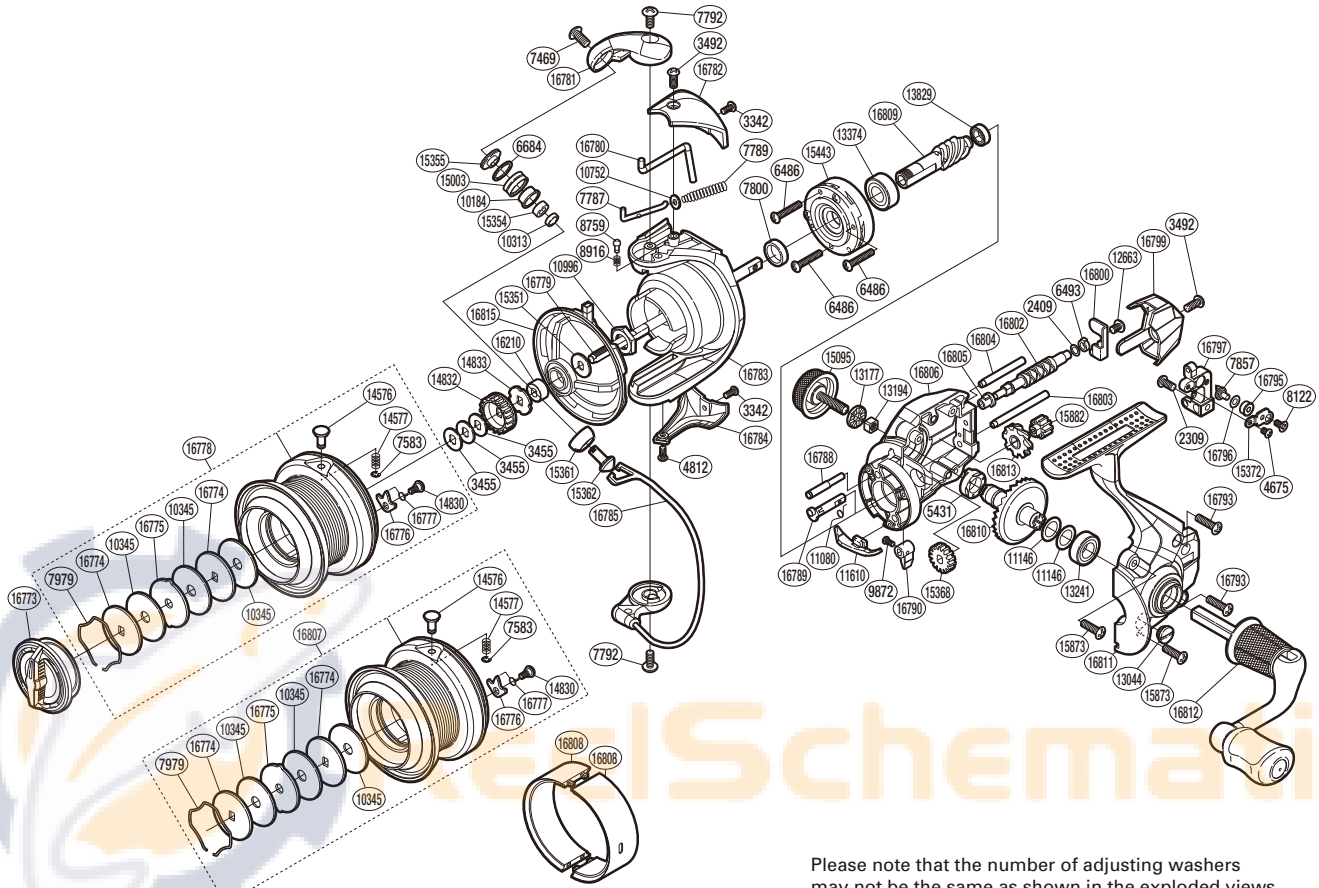


SHIMANO

AERO S A-RB

AERO2500HGFA



(51SH322501G)

Please note that the number of adjusting washers may not be the same as shown in the exploded views. (Adjustment will vary with each individual product.)

Part No.	Description	Part No.	Description	Part No.	Description
RD 2309	Screw	RD13177	Handle Screw Cap Spacer	RD16783	Rotor
RD 2409	Spacer	RD13194	Handle Screw Lock	RD16784	Bail Hold Support Guard
RD 3342	Screw	RD13241	Ball Bearing	RD16785	Bail Assembly
RD 3455	Spool Washer	RD13374	Ball Bearing	RD16788	Idle Gear B Shaft
RD 3492	Screw	RD13829	Ball Bearing	RD16789	Anti-Reverse Cam
RD 4675	Screw	RD14576	Line Clip	RD16790	Anti-Reverse Lever
RD 4812	Screw	RD14577	Line Clip Spring	RD16793	Screw
RD 5431	Drive Gear Bushing	RD14830	Screw	RD16795	Oscillating Slider Bushing
RD 6486	Screw	RD14832	Spool Support A	RD16796	Spacer
RD 6493	Worm Bushing (Rear)	RD14833	Spool Support B	RD16797	Oscillating Slider
RD 6684	Line Roller Spacer	RD15003	Line Roller	RD16799	Rear Protector
RD 7469	Screw	RD15095	Handle Screw Cap	RD16800	Worm Shaft Retainer
RD 7583	E Lock	RD15351	Line Safety Guard Washer	RD16802	Worm Shaft
RD 7787	Bail Spring Guide A	RD15354	Line Roller Collar	RD16803	Oscillating Guide A
RD 7789	Bail Spring	RD15355	Line Roller Washer	RD16804	Oscillating Guide B
RD 7792	Screw	RD15361	Line Roller Support Cover	RD16805	Worm Bushing (Front)
RD 7800	Rotor Ring	RD15362	Line Roller Support	RD16806	Body
RD 7857	Oscillating Pawl	RD15368	Idle Gear	RD16809	Pinion Gear
RD 7979	Drag Washers Retainer	RD15372	Oscillating Pawl Cover	RD16810	Drive Gear
RD 8122	Screw	RD15443	Roller Clutch Assembly	RD16811	Side Cover
RD 8759	Click Pin	RD15873	Screw	RD16812	Handle Assembly
RD 8916	Click Spring	RD15882	Idle Gear B (Small)	RD16813	Idle Gear B (Large)
RD 9872	Screw	RD16210	Line Safety Guard Spacer	RD16815	Line Safety Guard
RD10184	Line Roller Bushing	RD16773	Drag Knob		
RD10313	Bearing Spacer	RD16774	Key Washer	RD16807	Spare Spool Assembly
RD10345	Drag Washer	RD16775	Eared Washer		
RD10752	Bail Spring Guide A Support	RD16776	Drag Click	RD16808	Spool Economizer 1000 (Accessory)
RD10996	Rotor Nut	RD16777	Click Spring		
RD11080	Anti-Reverse Cam Spring	RD16778	Spool Assembly		
RD11146	Washer	RD16779	Main Shaft	PK 0276	Gear set
RD11610	Bail Trip Strike	RD16780	Bail Trip Lever	PK 0134	Bearing set
RD12663	Screw	RD16781	Bail Arm	PK 0277	Oscillation set
RD13044	Oil Cap	RD16782	Bail Spring Cover	PK 0131	Line roller set